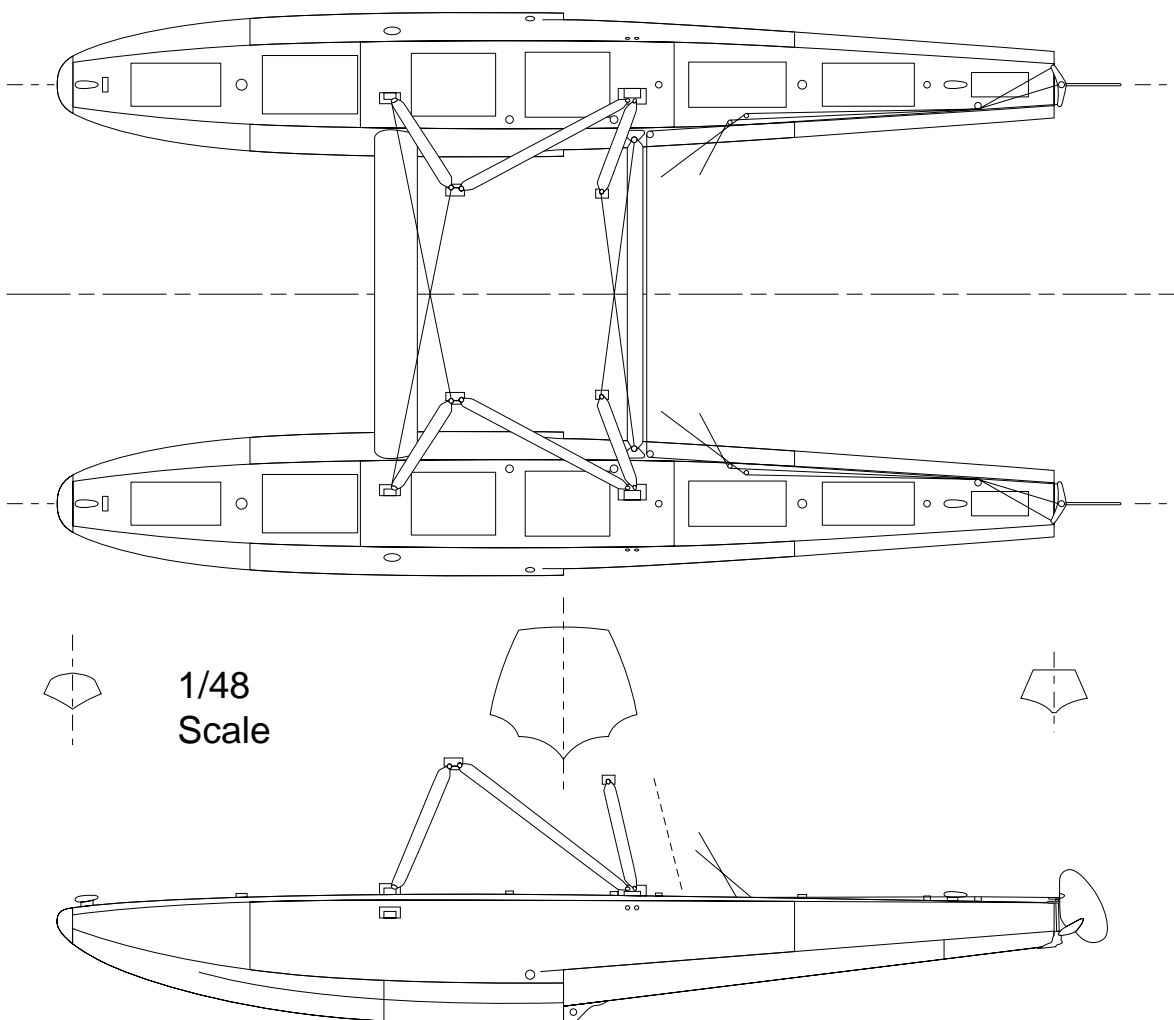
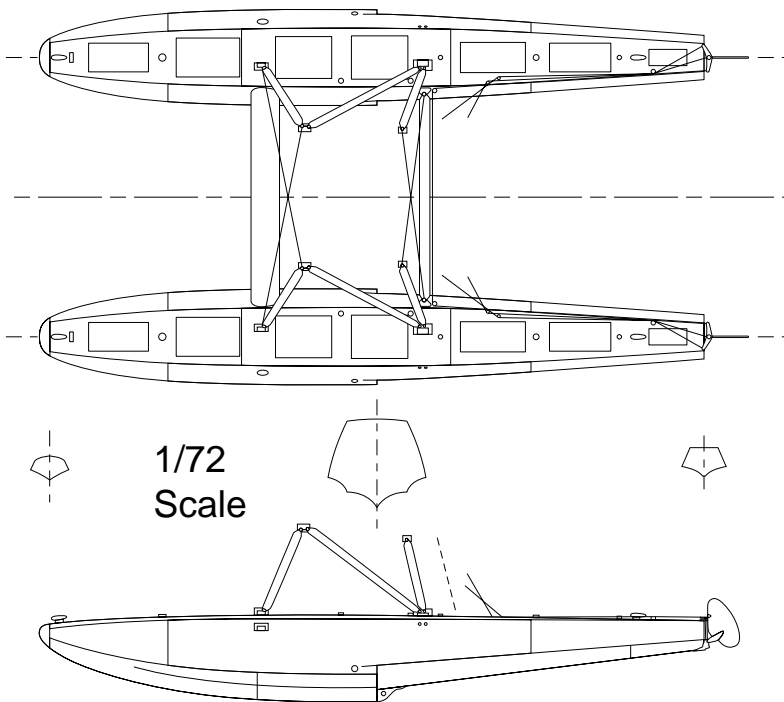


Edo Float Model Wa 4665

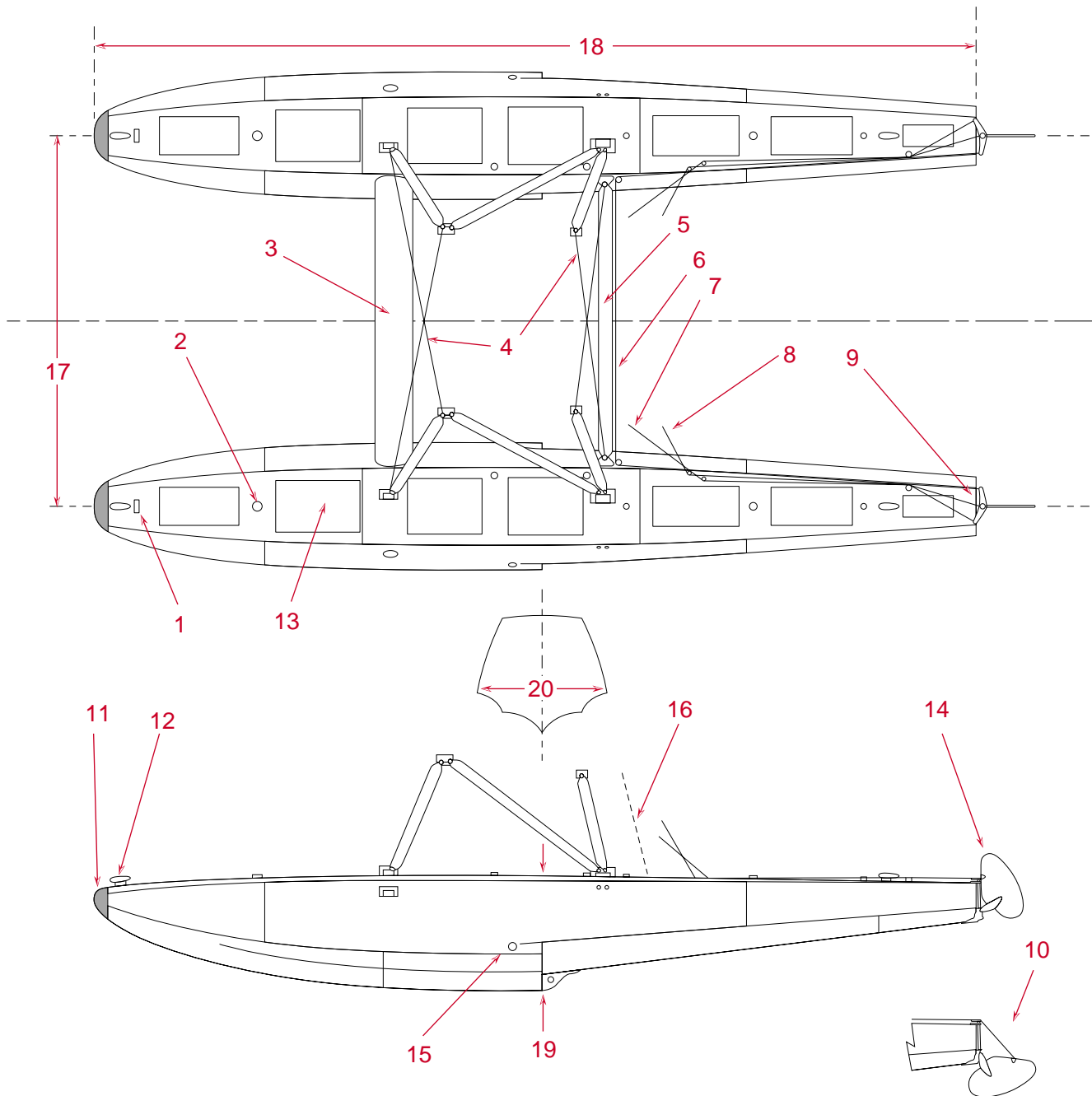
For aircraft less than 4900lbs.

Found on:

- Beech D17S Staggerwing
- Stinson SR-9D/E
- TravelAir 6000 Series
- Lockheed Vega 5C
- Curtiss Hawk I (Export F11C)



Edo Model Wa 4665 Float



KEY

- | | |
|---|---|
| 1. Edo Name/Data Plate | 9. Note Skewed Mounting of Control Horn |
| 2. Bilge Pump Fitting (x6) | 10. Rudder Deployed |
| 3. Front Spreader Bar (airfoil section) | 11. Rubber Bow Bumper |
| 4. Wire X-Bracing (2 places) | 12. Mooring Cleat (x2) |
| 5. Rear Spreader Bar (airfoil section) | 13. Service Access Panel (x7) |
| 6. Water Rudder Cross Link Cable | 14. Rudder Retracted |
| 7. Water Rudder Retraction Cable - to cockpit | 15. Axle Hole |
| 8. Water Rudder Steering Cable - to cockpit | 16. A false strut, fitted with a boarding step, was often installed here. |

Dimensions:

17. Track: 8' 10"
 18. Length: 20' 9"
 19. Depth: 32"
 20. Beam: 36"